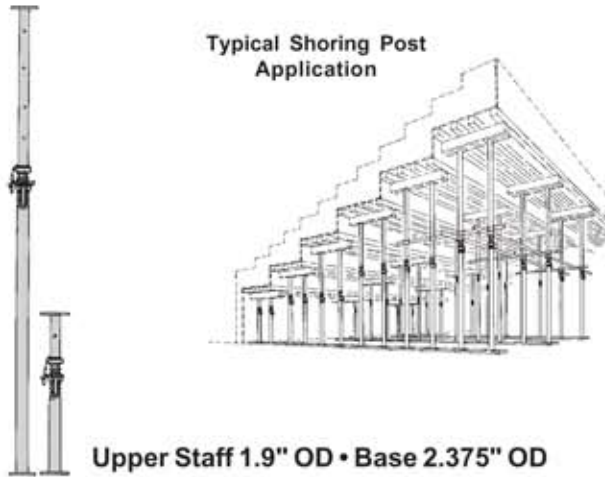


SHORING POSTS

Features of Bil-Jax Shoring Posts include:

- Easy adjustment.
- Range of sizes available.
- Steel construction.
- Maintenance free.
- Low cost.



Upper Staff 1.9" OD • Base 2.375" OD

Regular Duty Steel Shoring Posts & Components

Galvanized (shown below) & Powder Coat (see price list)

Part No.	Description		Capacity #	Wt.#
	Closed Lg.	Ext. Length		
0051-028	2' 0"	3' 3"	3,500	15
0051-029	3' 0"	5' 0"	3,500	19
0051-030*	4' 0"	6' 10"	3,500	24.25
0051-031*	4' 11"	8' 7"	3,500	27.25
0051-032*	5' 11"	10' 4"	3,500	32.5
0051-033*	6' 11"	11' 4"	3,500	34.
0051-034*	8' 7"	13' 0"	3,500	37.5
0051-035*	10' 3"	14' 10"	3,500	42
0051-()	Extension Only - Various Lengths		-	-
0051-069-65	Base Only		19	
0068-119	Replacement Pin, Chain, and Ring		1	
0082-0285	Nut and Handle		1.25	

**Capacity for Post Shoring Includes
3 to 1 Safety Factor**

Upper Staff 2.5" OD • Base 3" OD

Heavy Duty Steel Shoring Posts & Components

Galvanized (shown below) & Powder Coat (see price list)

Part No.	Description		Capacity #	Wt.#
	Closed Lg.	Ext. Length		
0051-078	2' 0"	3' 3"	6,000	25
0051-079	3' 0"	5' 0"	6,000	31
0051-080*	4' 0"	6' 10"	6,000	40
0051-081*	4' 11"	8' 7"	6,000	45
0051-082*	5' 11"	10' 4"	6,000	53
0051-083*	6' 11"	11' 4"	6,000	57
0068-132	Replacement Pin, Chain, and Ring		1.5	
0082-0835	Nut and Handle		5	

*Regular and Heavy Duty Shoring Posts with heights greater than 6' 6" require lateral bracing.

All photos and drawings are for illustration only. Always concerned with the improvement of the quality of this product, the manufacturer reserves the right to modify specifications without prior notice. Follow all applicable ANSI and OSHA Codes and Regulations for the use of this equipment. Do not use this product in areas where user can come in contact with live power.



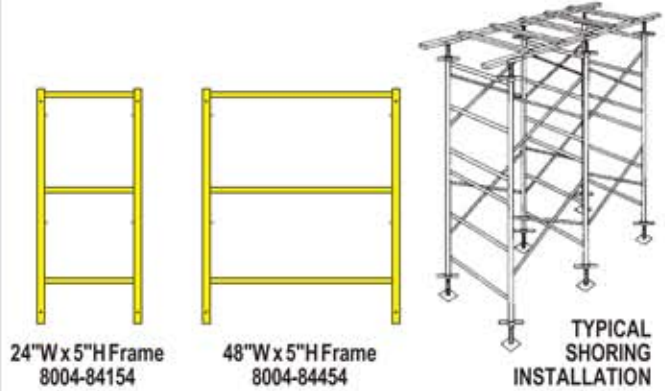
Los Angeles Office/Warehouse
www.sunsetladder.com

4421 Fountain Avenue
Los Angeles, CA 90029

(800) 794-1112
(323) 467-1190

Fax: (323) 665-0952

HEAVY DUTY SHORING COMPONENTS



24"W x 5"H Frame
8004-84154

48"W x 5"H Frame
8004-84454

TYPICAL
SHORING
INSTALLATION

Heavy Duty Steel Shoring Frames

Powder Coat Finish

Part No.	Description	Wt.#
8004-84134	Frame 24" Wide x 3' High	29
8004-84144	Frame 24" Wide x 4' High	41
8004-84154	Frame 24" Wide x 5' High	49
8004-84164	Frame 24" Wide x 6' High	58
8004-84434	Frame 48" Wide x 3' High	34
8004-84444	Frame 48" Wide x 4' High	49
8004-84454	Frame 48" Wide x 5' High	54
8004-84464	Frame 48" Wide x 6' High	67



Jack
0032-122



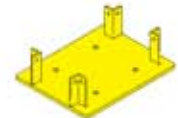
Jack w/Head
0032-122
0064-0034



J-Head
0064-0034

J-Head attaches to all Leveling Jacks, Base Plates, and Shore Posts shown on this page.

Leveling Jacks have heavy duty 5/16" x 6" x 6" steel plate w/1-7 16" O.D. threaded stem. Top nut needed with leveling jacks when used on 2-3/8" shoring frames.



2-Way Shore Head
0050-24



Insert Pin
0007-053



Top Nut
0068-216



Base Plate
0030-045

Heavy Duty Shoring Accessories

Part No.	Description	Wt.#
0032-122	Leveling Jack, Rigid with 15" Adj - for shoring frames only	11.5
0064-0034	Shoring Head - 4.25" Inside W x 11"L	6
0050-24	Shoring Head - 2 Way, 4" x 8" (2 bolts included)	9
0007-053	Insert Pin with Collar	1.25
0068-216	Top Nut	.5
0030-045	Base Plate with 4" Stem	3.25